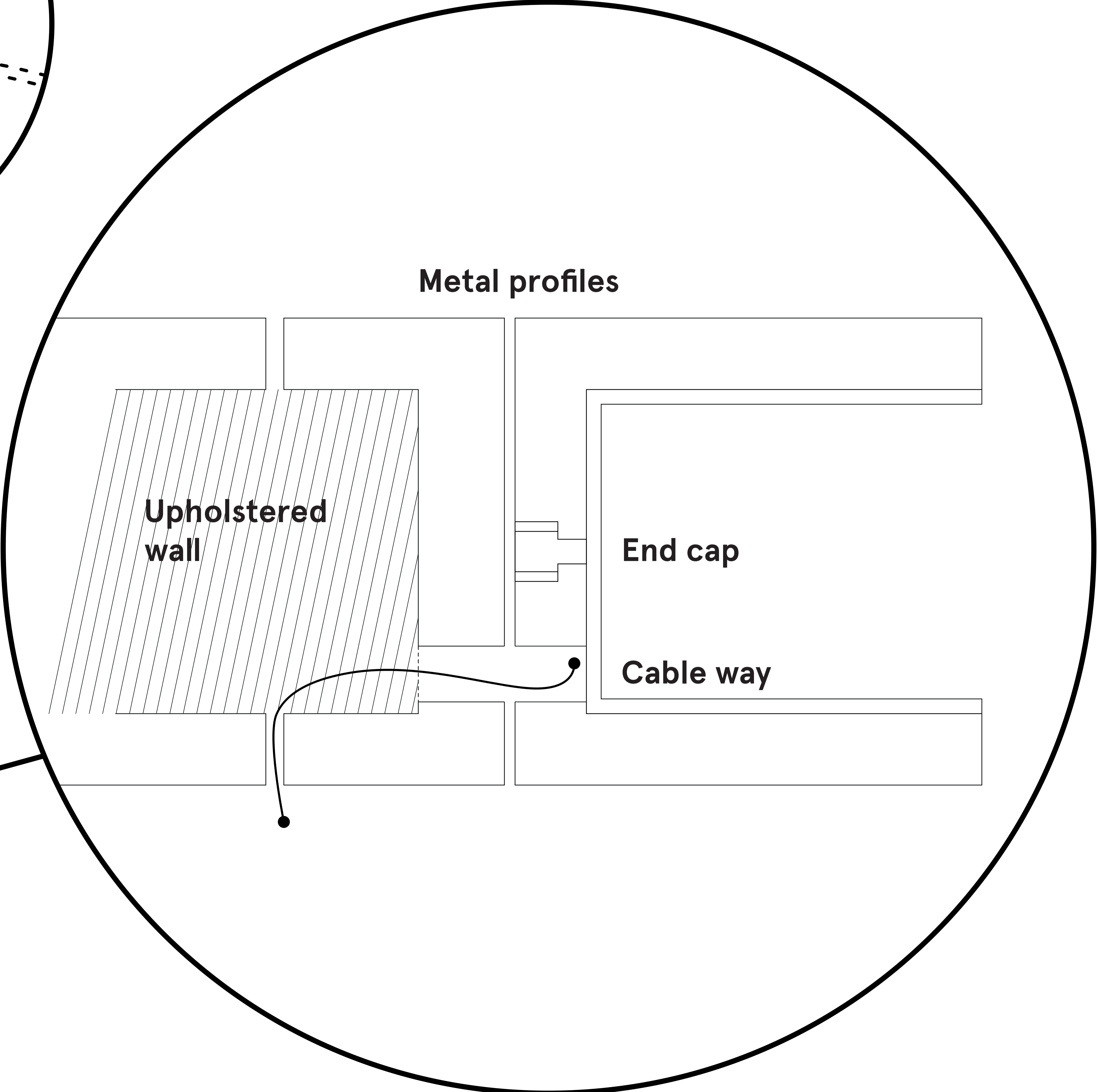
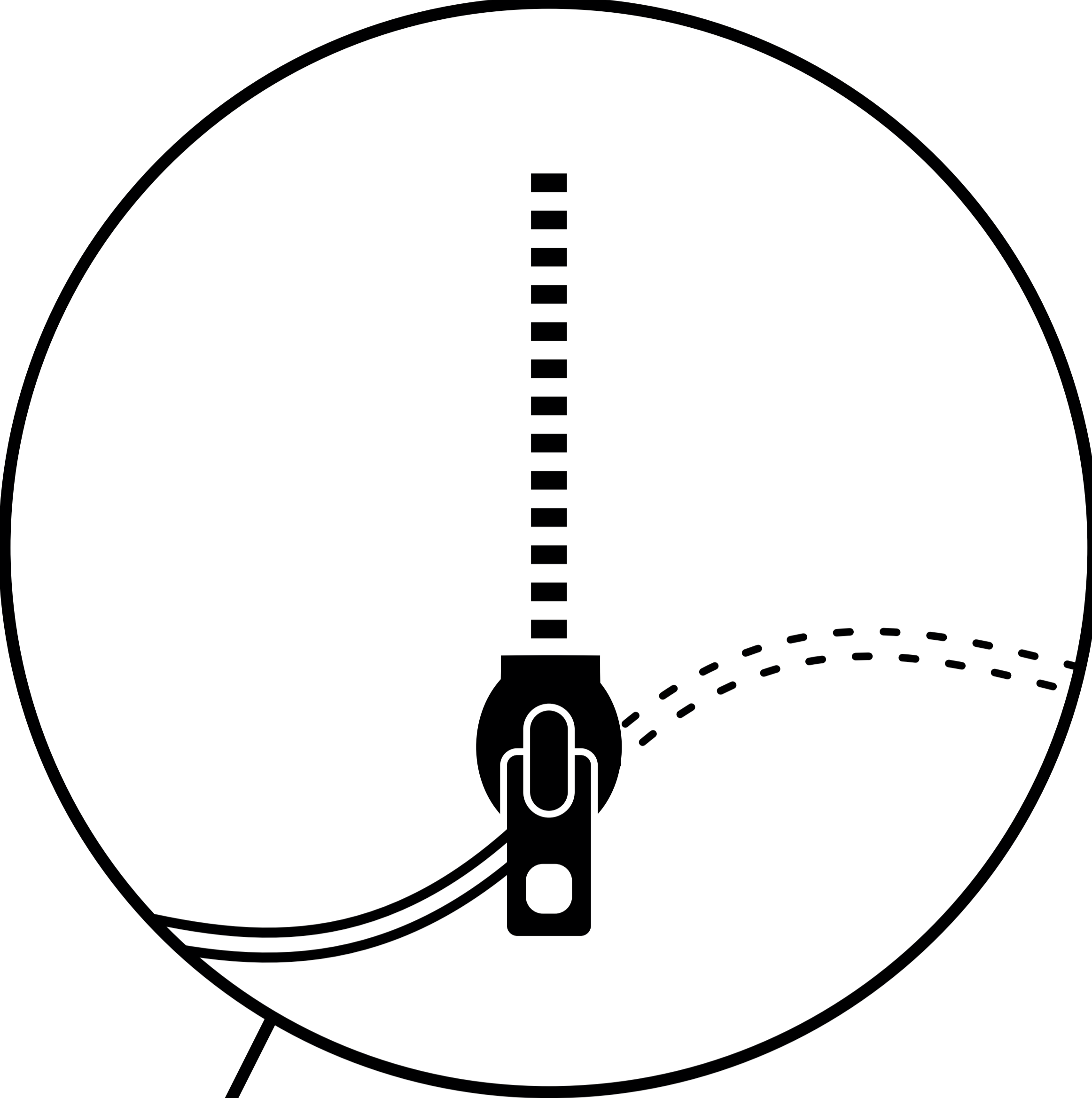


Cable management

Double side zipper
for cable management



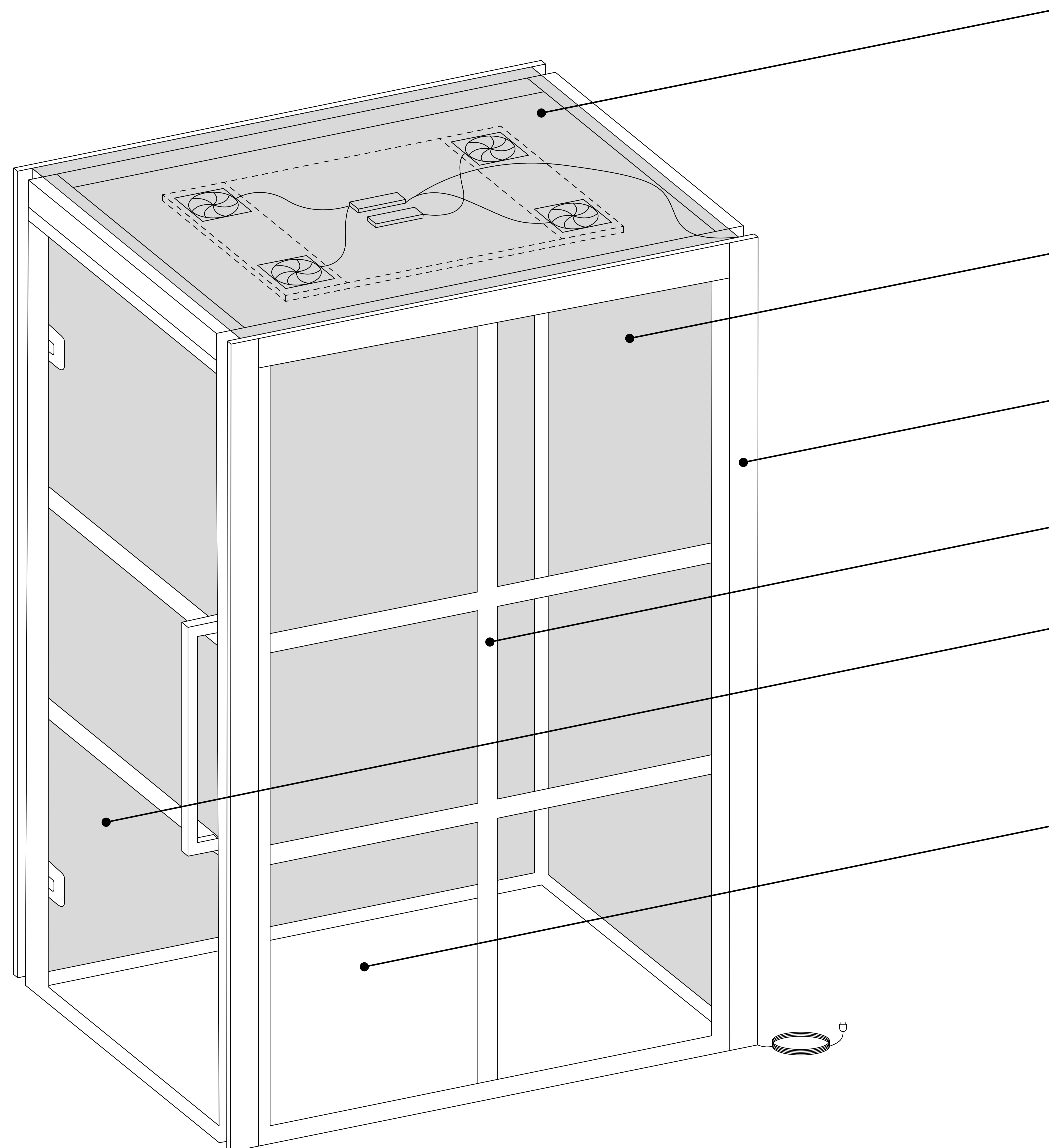
Metal profiles

Upholstered
wall

End cap

Cable way

Technical description



1. Ceiling · Upholstered, equipped with automatic lightning and quiet fans, activated with motion sensors.

2. Upholstered wall · 75mm thick, upholstered on both sides with acoustic properties.

3. Columns · 75x75mm, powder coated.

4. Aluminium strips · 5mm thick.

5. Glass walls, glass door · Toughened glass, 8mm thick (door) and 6mm thick (walls), equipped with hinges and gasket system that extends the acoustic properties of the booth.

6. No bottom part · A well-thought-out structure allows for elimination of the bottom part without compromising stability:

- Meet the needs of disabled people
- Move it easily within a space
- Facilitate cable management

Assembly scheme

