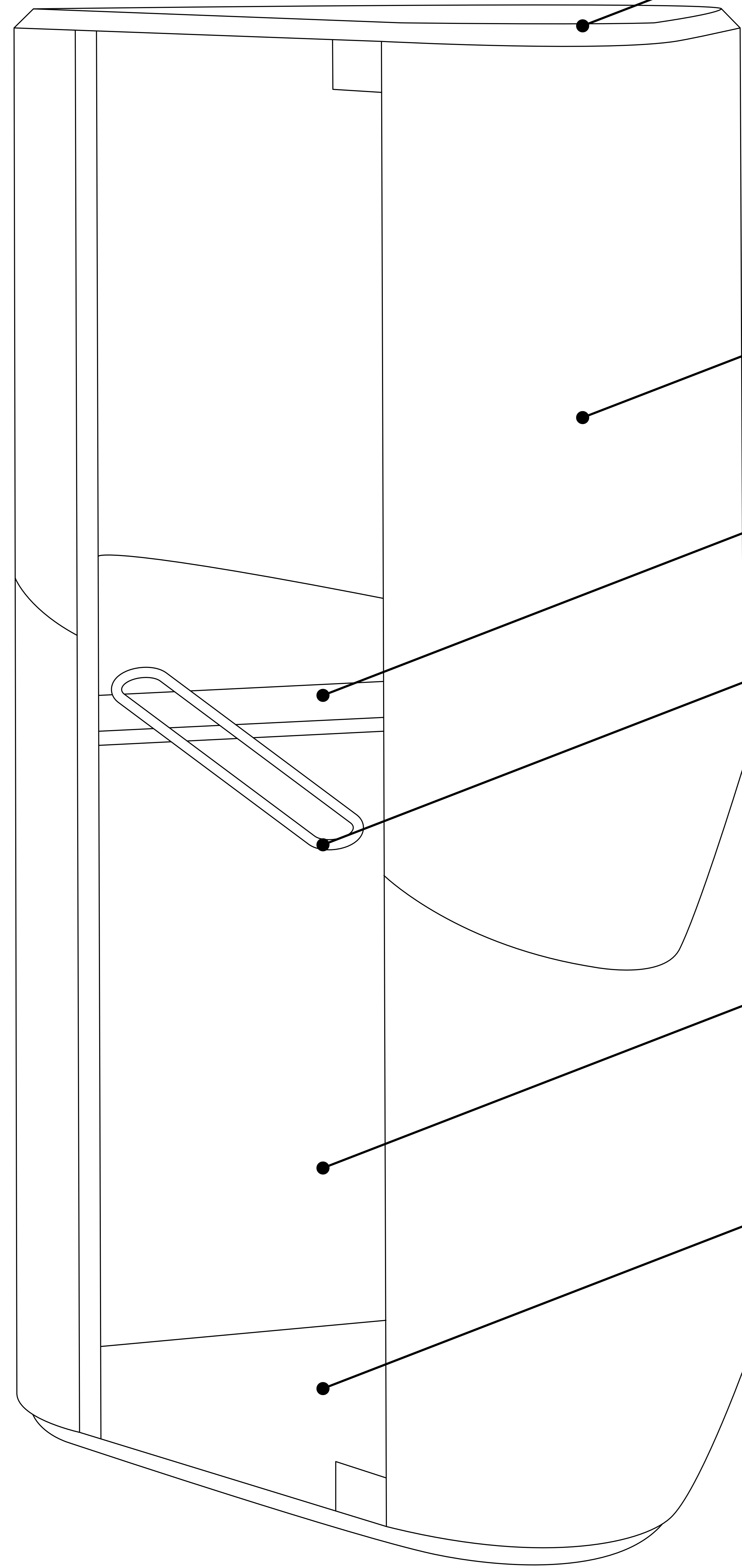


Technical description



1. Top panel ·

Outside · MDF 28mm, varnished.

Inside · Chipboard 18mm upholstered (in the colour of the lower part of the pod wall), two-point lighting, two quiet fans.

2. **Body** · Chipboard frame, upholstered on both sides.

3. **Shelf** · MDF board 28mm, lacquered, measurements: 1108x415x28mm.

4. **Handle** · Powder coated, metal.

5. **Door** · Toughened glass 8 mm, clear.

6. Bottom rim ·

Outside · MDF 28 mm, varnished.

Inside · Chipboard 18 mm, carpet.

Assembly

