

# Hana

## technical description



.mdd

**Mdd has a leading position among manufacturers of office furniture with many awards that prove quality and continuously increase demand for it's products.**

The realities of today's market require constant quality improvement at all levels of modern organization. This applies in particular to customer service, marketing, quality of products and also to quality of processes within the company. Partnership relations among employees and with business partners form a base of economic growth and success of the company.

Constant investments in innovative machinery park, optimization of management systems and an expansion of production halls allow to minimize the lead times for the product of the highest quality.

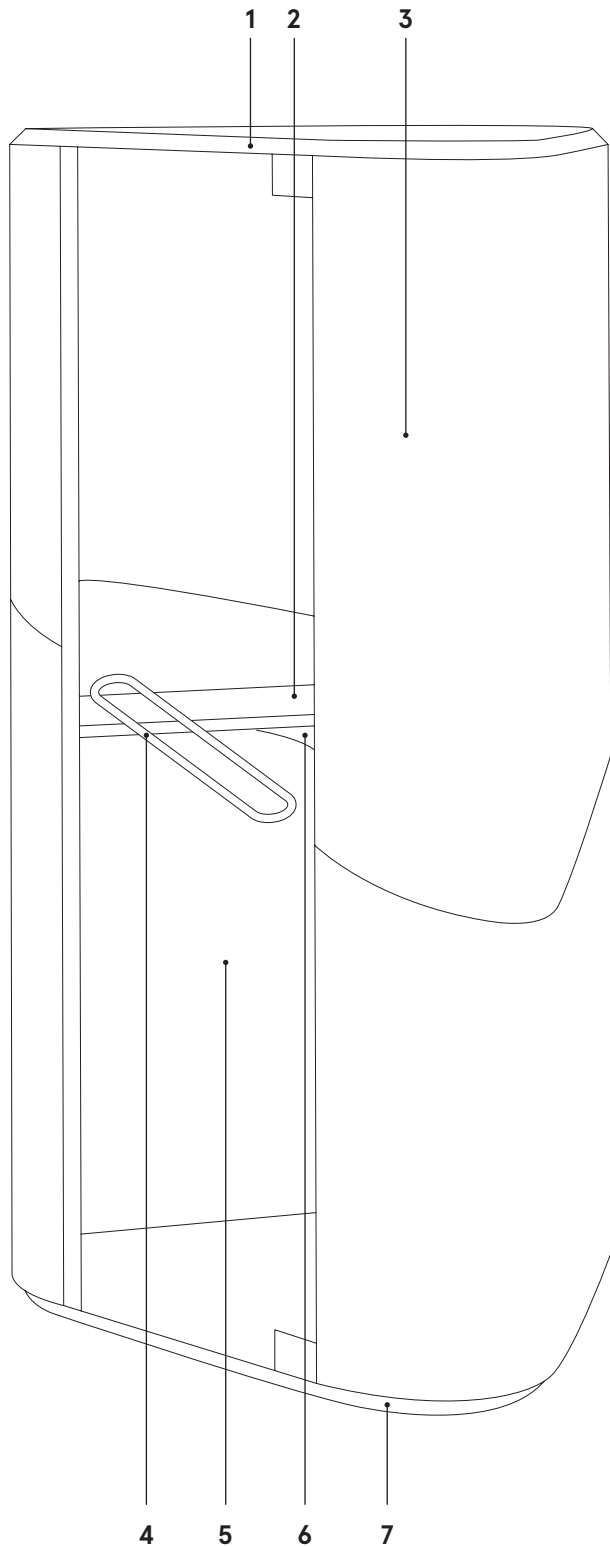
**More than twenty years of experience in office furniture industry come with reference from a long list of companies and institutions to show their appreciation for an efficient and comprehensive service.**

**Mdd is highly aware of the environment.**

Being located in a forest region with a lake by its side, MDD takes nature seriously and invests constantly in a modern and energy-efficient solutions to preserve the local life. Company puts emphasis on waste segregation and recycling. MDD has been awarded for the exceptional care and involvement in waste disposal. All materials used are environmentally friendly and enjoy a high 95% rate of being recycled.



Technical specification · Pod



**1. Top panel**

Outside · MDF 28 mm, black varnished  
 Inside · Chipboard 18 mm upholstered (in the colour of the lower part of the pod wall)  
 Two-point lighting, two quiet fans (Volume 14 dB, efficiency 90 m<sup>3</sup>/h)  
 A motion detector switches the light and the fans on

**2. Shelf**

MDF board 28 mm, lacquered, measurements: 1108x415x28 mm, black

**3. Body**

Chipboard frame, treated on both sides with Sonic certified technology, Class A sound absorption  
 Noise reduction of 37 dB. Interior and exterior fabric finish  
 Possibility of choosing 2 different finishes for the outdoor part

**4. Handle**

Powder coated, metal

**5. Door**

Toughened glass 8 mm, clear. Non reversible

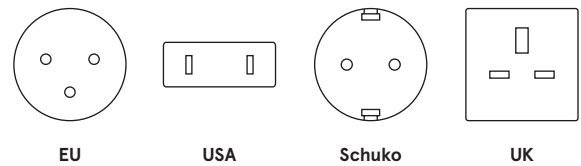
**6. Power Cube**

4x230V + 2xUSB

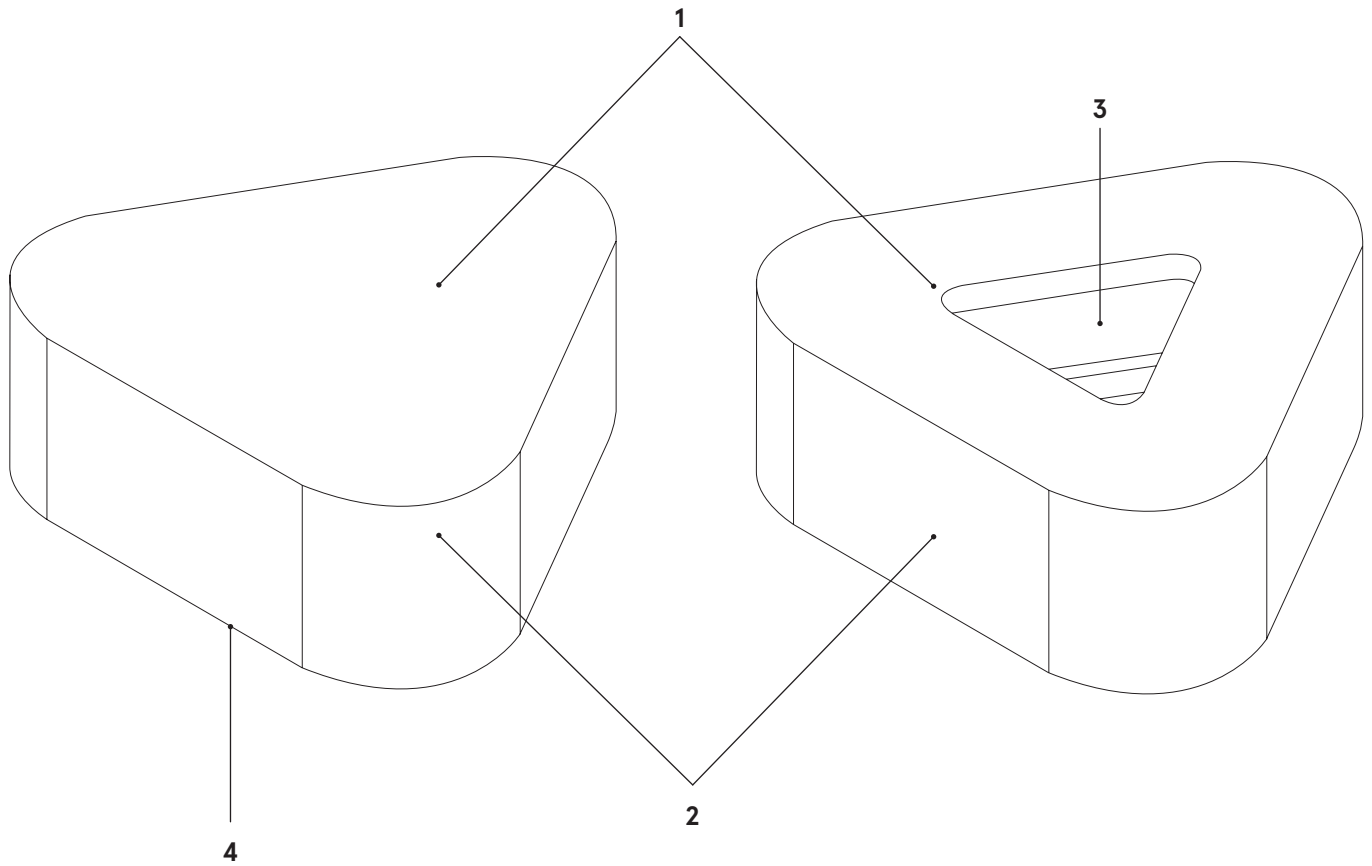
**7. Bottom rim**

Outside · MDF 28 mm, black varnished  
 Inside · Chipboard 18 mm, grey carpet

**Electric systems available**

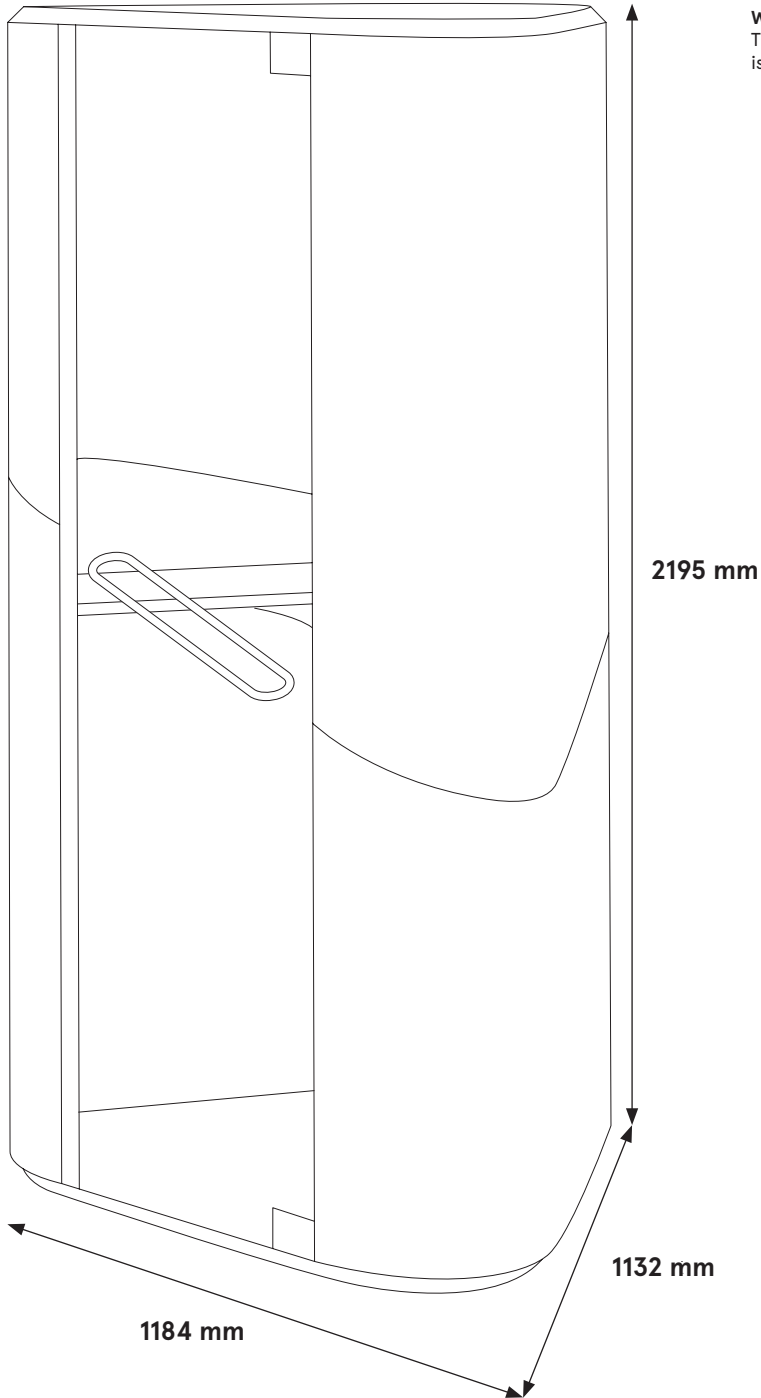


Technical specification · Pouf



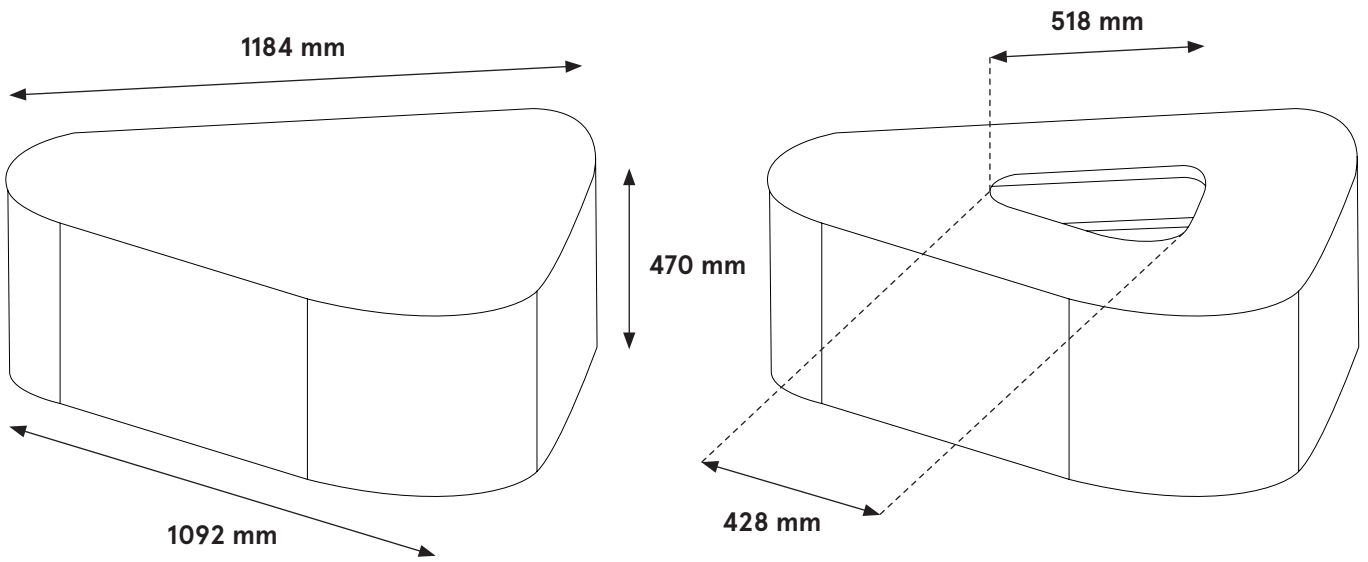
- 1. Upholstered seat · Injected foam 60 mm thick
- 2. Body · Particle board structure
- 3. Flowerpot · Plastic, depth 470 mm
- 4. Feet · Plastic, 3pcs

Dimensions · Pod

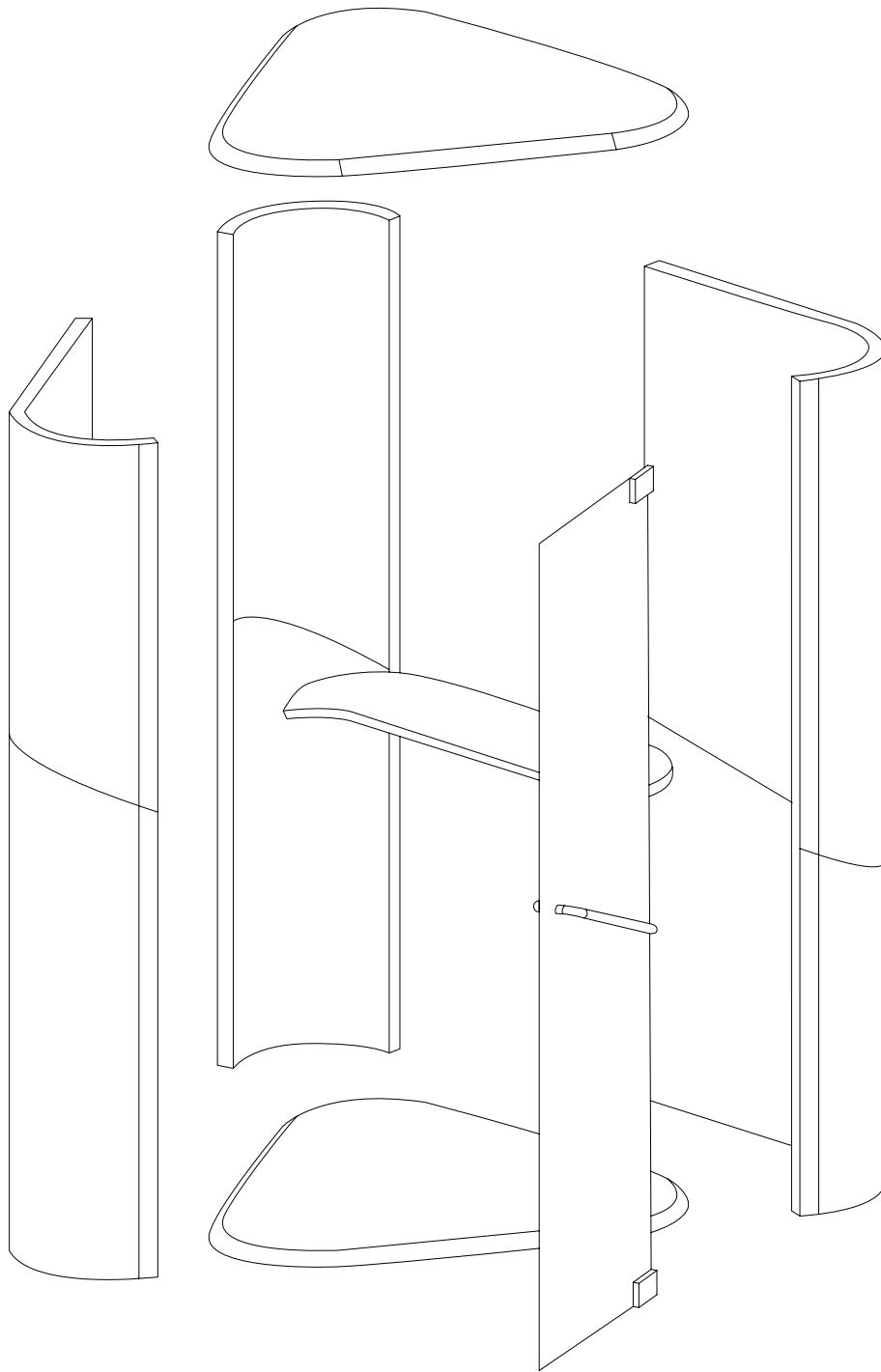


**Weight:** 200 kg  
The minimum height of the room for the installation of the cabin is 2.5 m

Dimensions · Pouf



Assembly



---

**Group II · Medley**



M-60999



M-61002



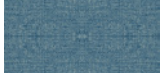
M-63064



M-64019



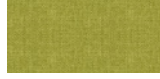
M-66008



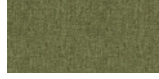
M-67006



M-67053



M-68002



M-68005



M-68115

---

**Group III · Synergy**



LDS08 Grey  
melange



LDS20  
Light grey



LDS27  
Black



LDS29  
Dark grey



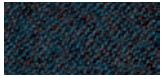
LDS50  
Dark green



LDS53  
Green



LDS57  
Turquoise



LDS60 Bottle  
green



LDS61  
Plum



LDS69  
Navy blue



LDS84  
Orange



LDS86  
Red



LDS88  
Aubergine



LDS85  
Coral